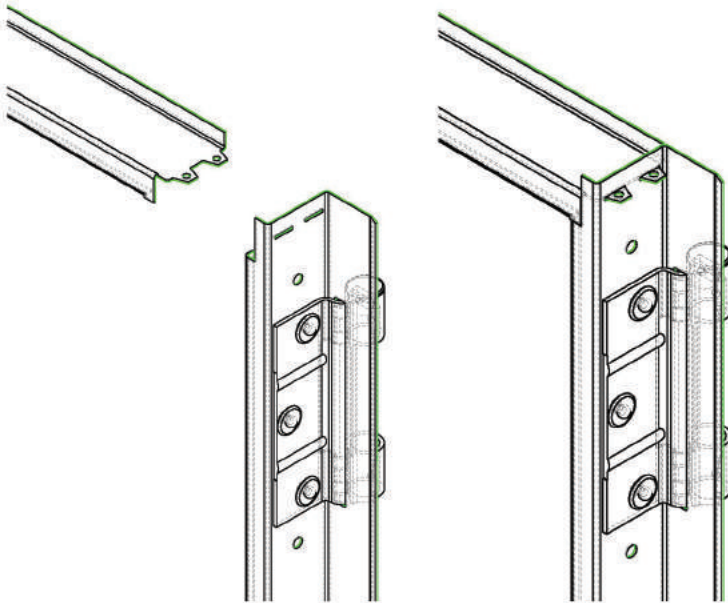


FIREPROOF DOOR

security, fireproof and general use doors

Assembly and installation instruction of single leaf fireproof door SIMMETRICO



①

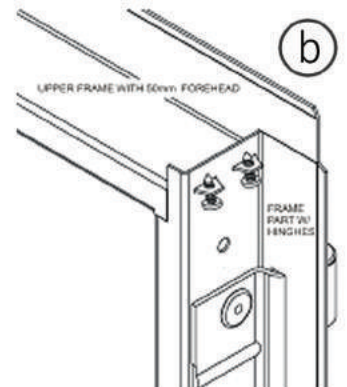
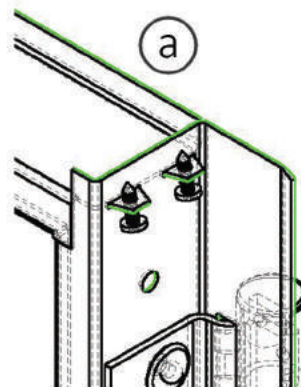
Assembly the header and the threshold of the frame with the vertical columns.

②

Install the screws $\Phi 4,8 \times 13$ and tight them slightly in order for the 4 parts to bond together.

In case you have the short header the assembly is shown in figure A.

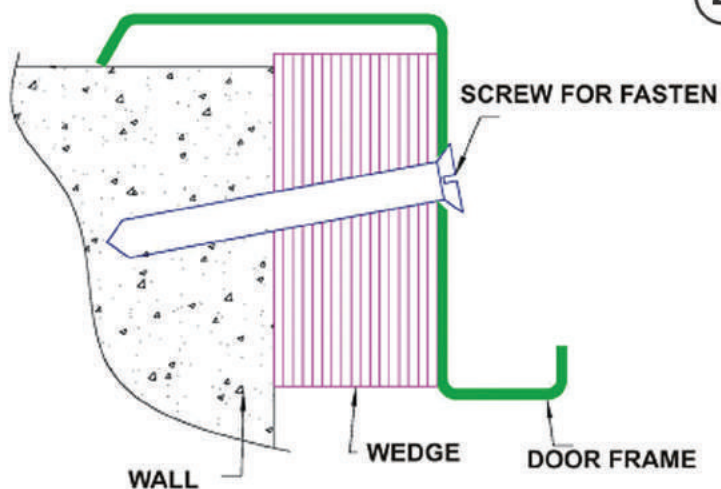
In case you have the tall header (50mm high), the assembly is shown in figure B.



③

Follow the same procedure in all 4 corners of the frame to form the shape of it.



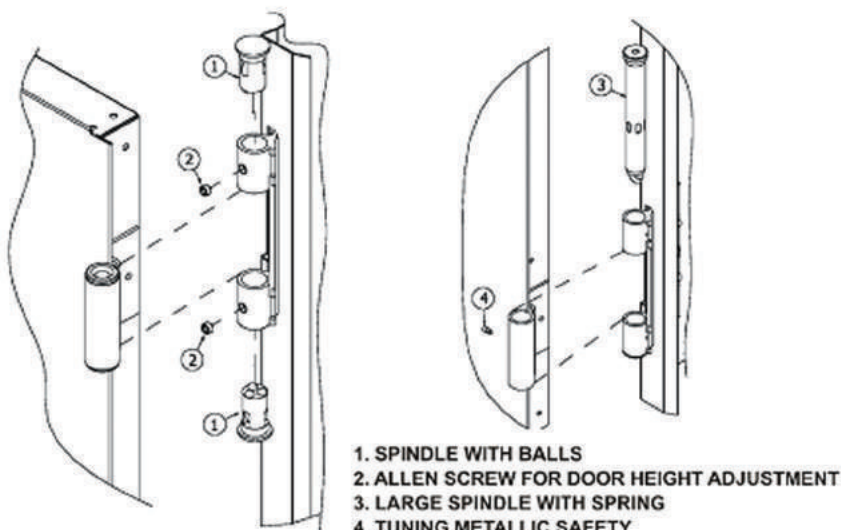


- 4** Place the frame in the wall opening, level the hinge column and fasten it on the wall. For this purpose, you will find 6 pre-made $\text{Ø}8\text{mm}$ holes on the column.

Attention: when you fasten the screws that will tighten the column, make sure not to twist the column. To avoid twisting, behind each fasten screw place a wedge of appropriate thickness that fills the whole gap between the wall and the column, so as the column will affix on the wedge without twisting.

For the best function of the door it is very important that the frame after being fastened, should not swivel.

- 5** Install the door leaf on the hinge column you have just installed on the wall. Place the hinge pin with the spring in position. Place the two smaller pins with balls in position and regulate the heights so that the hinge of the door leaf is placed in the middle of the column hinge.

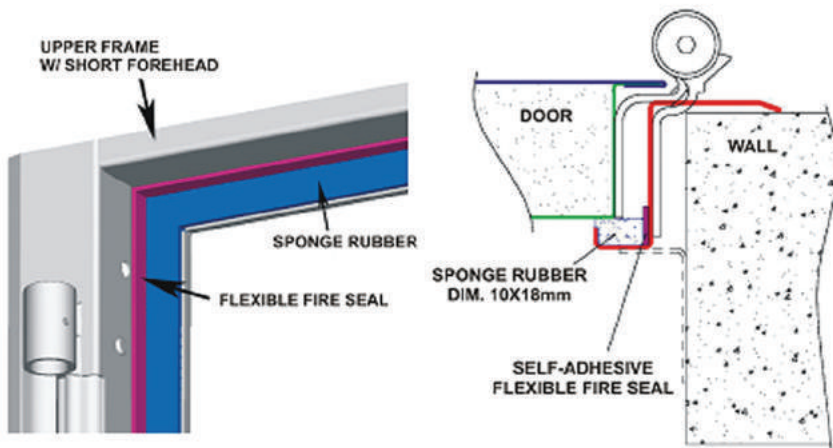


- 6** Close the door leaf on the lock frame column and make sure the frame and the door leaf seal. Place a mark on the position of the lock frame column and fasten it using the same procedure as you did with the hinge column, making sure again, that the column will not twist after firming.

Note 1: In case self closing mechanism should be installed, make sure the header is well fastened, so as to withstand the pressure of the forces that will derive from the closing mechanisms' arm.

Note 2: place a wedge or wedges to the threshold of the frame on the floor, as to not swing when being stepped on.

- 7** Install the door handles and all the plastic accessories you have received with your door. Place the panic bar (if requested). Check the door function. (locking/closing, etc.)

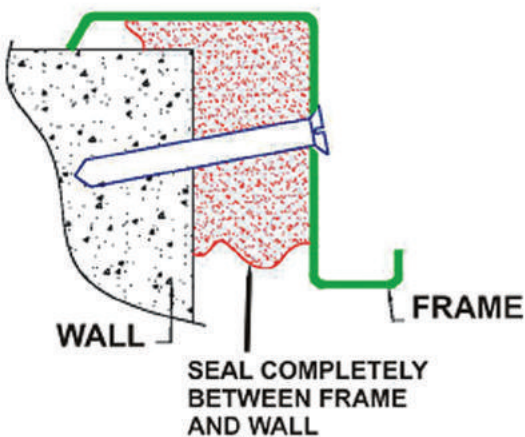


8

Install the self-adhesive thermo-expanding gasket as well as the foam gasket in the right position as seen in the photo. As seen in the figure the foam gasket holds the thermo-expanding gasket in place. (Use of silicone before placing the foam gasket is highly recommended).

9

Test the door function. In case it feels too tight, you can loose it by turning upside down the latch plastic on the frame column.



10

Fill the gaps around the door all around to make sure that in case of fire flames and gauges are not permitted to pass. In case you use polyurethane foam, make sure that it is fireproof with certification similar to the door.

11

Optionally: Install the self closing mechanism following the instructions that you will find in the package of the mechanism .

